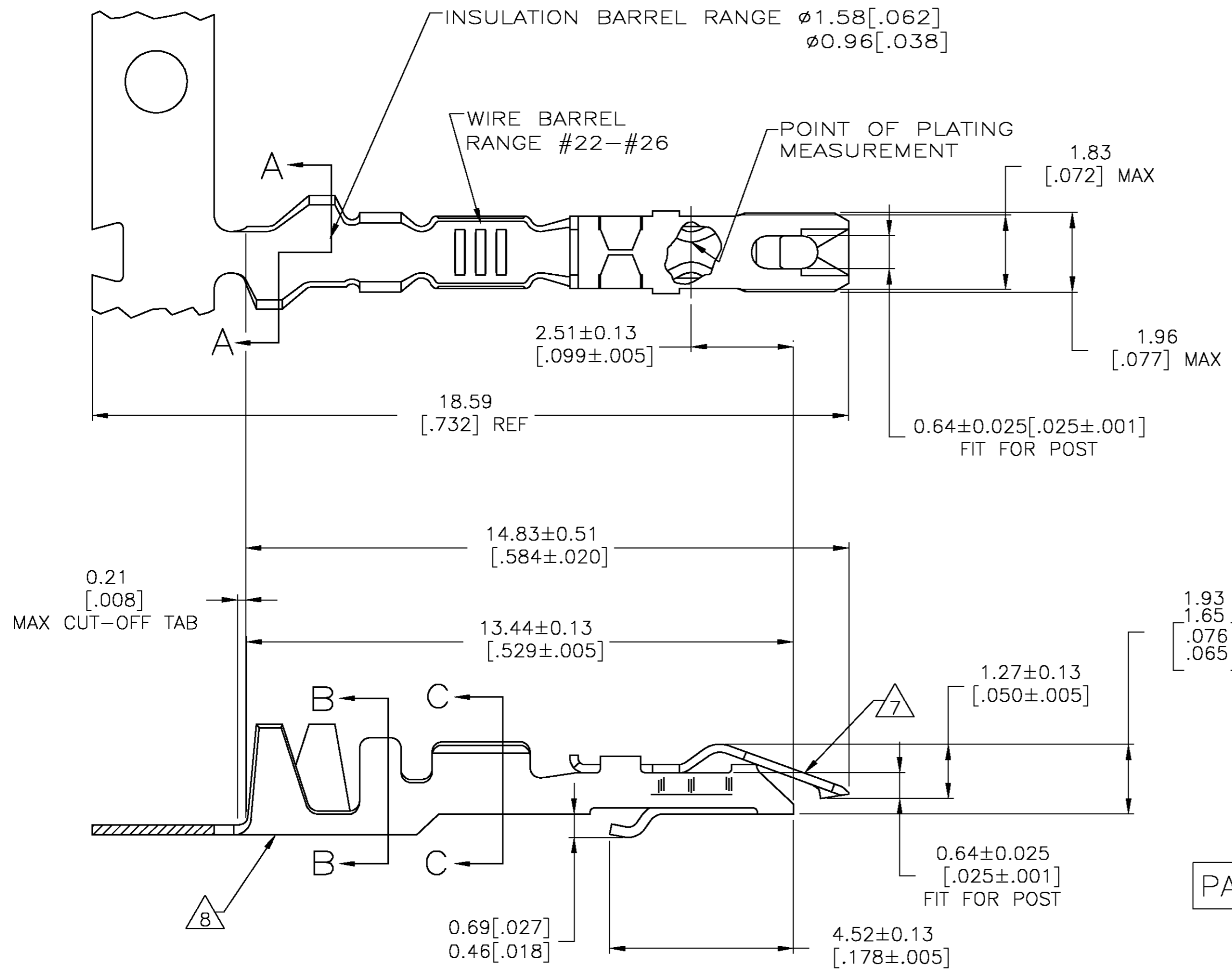


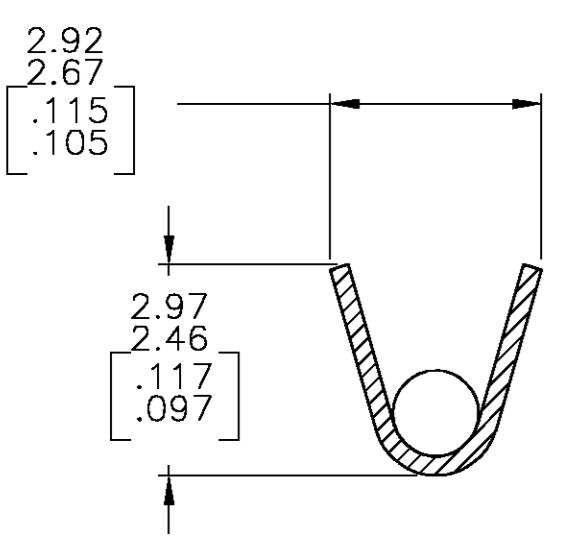
THIS DRAWING IS UNPUBLISHED. RELEASED FOR PUBLICATION  
 © COPYRIGHT BY TYCO ELECTRONICS CORPORATION. ALL RIGHTS RESERVED.

LOC	DIST	REVISIONS					
AD	00	P	LTR	DESCRIPTION	DATE	DWN	APVD
		S		EC 0G3C 0207 05	05APR05	BSV	DLS

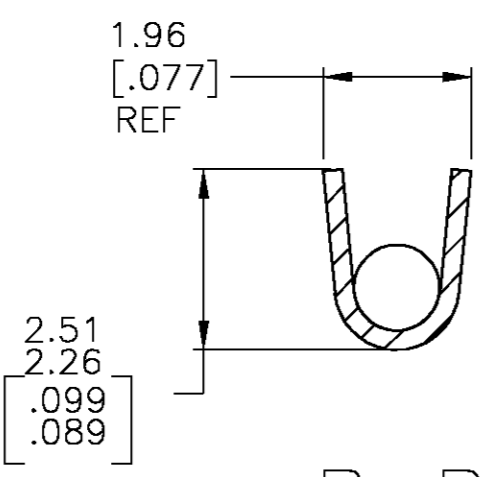


- 1 REELED FOR MINI-APPLICATOR.
- 2 REELED FOR STRIPPER CRIMPER.
- 3 PLATED WITH 0.00076[.000030] GOLD IN CONTACT AREA, GOLD FLASH ON REMAINDER, OVER 0.00127[.000050] NICKEL.
- 4 PLATED WITH 0.00127[.000050] GOLD IN CONTACT AREA, GOLD FLASH ON REMAINDER, OVER 0.00127[.000050] NICKEL.
- 5 PLATED WITH 0.00254[.000100] TIN-LEAD OVER 0.00127[.000050] NICKEL - ENTIRE CONTACT.
- 6 PLATED WITH 0.00127[.000050] GOLD OVER 0.00127[.000050] NICKEL - ENTIRE CONTACT.
- 7 SPRING MATERIAL: STAINLESS STEEL.
- 8 BODY MATERIAL: PHOS BRONZE - FINISH: SEE TABLE.
- 9 PLATED WITH .000100 TIN OVER .000050 NICKEL OVER ENTIRE CONTACT.

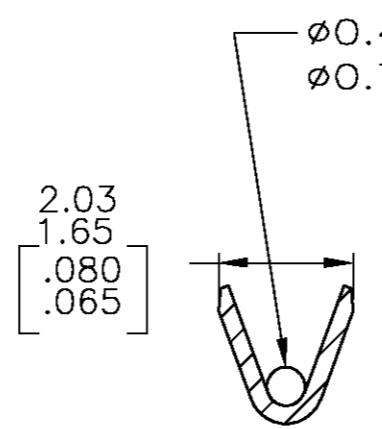
PART NUMBER 1-87124-2 SUPERCEDED BY 5-87124-2



A-A  
(ROTATED 90° CLOCKWISE)



B-B



C-C

ø0.46[.018] MUST BOTTOM IN WIRE BARREL  
 ø0.79[.031] MUST NOT BOTTOM IN WIRE BARREL.

OBsolete  
 OBsolete

REMARKS	BODY FINISH	PART NO (LOOSE PIECE)	PART NUMBER (STRIP)
1	9	5-87165-2	5-87124-2
1	9	-	1-87124-2
2	3	87165-1	1-87124-1
-	6	87165-4	87124-4
1	4	87165-3	87124-3
1	5	87165-2	87124-2
1	3	87165-1	87124-1

THIS DRAWING IS A CONTROLLED DOCUMENT.

DIMENSIONS: mm [INCHES]	TOLERANCES UNLESS OTHERWISE SPECIFIED:	DWN E. BRANDBERG 23SEP94	Tyco Electronics Corporation Harrisburg, Pa 17105-3608
		CHK S. SHUEY 23SEP94	
		APVD D. DUPLER 23SEP94	NAME
			CONTACT - LOCKING CLIP FOR 0.64[.025] SQUARE POST
MATERIAL SEE CALLOUT	FINISH SEE TABLE	WEIGHT -	SIZE A2 CAGE CODE 00779 DRAWING NO C=87124 RESTRICTED TO -
		CUSTOMER DRAWING	SCALE 10:1 SHEET 1 OF 1 REV S